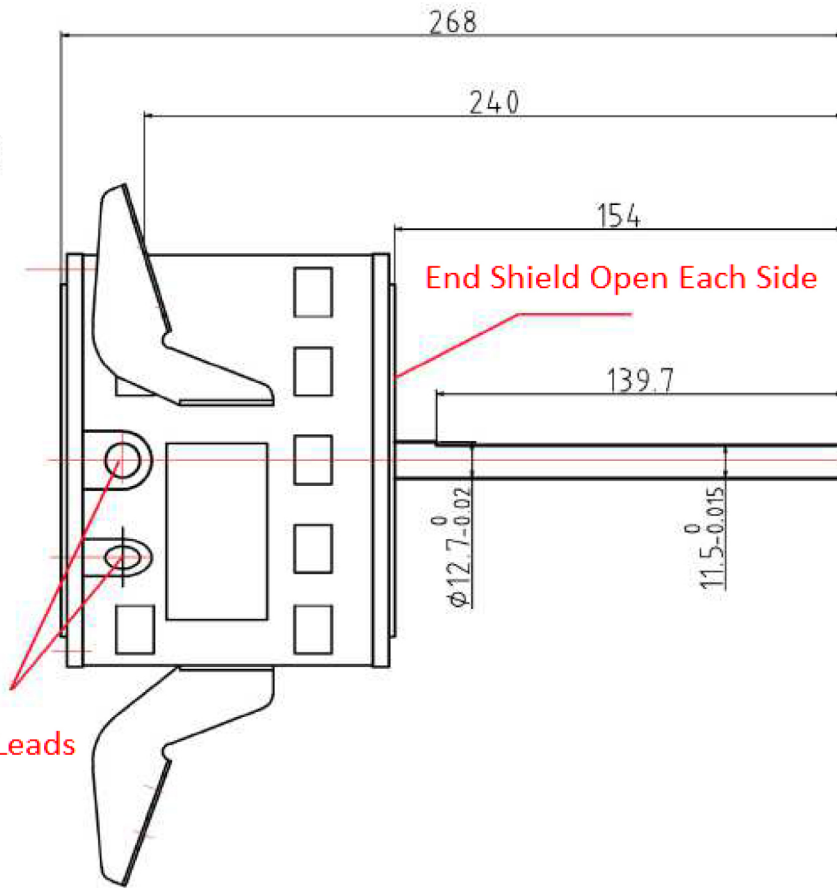
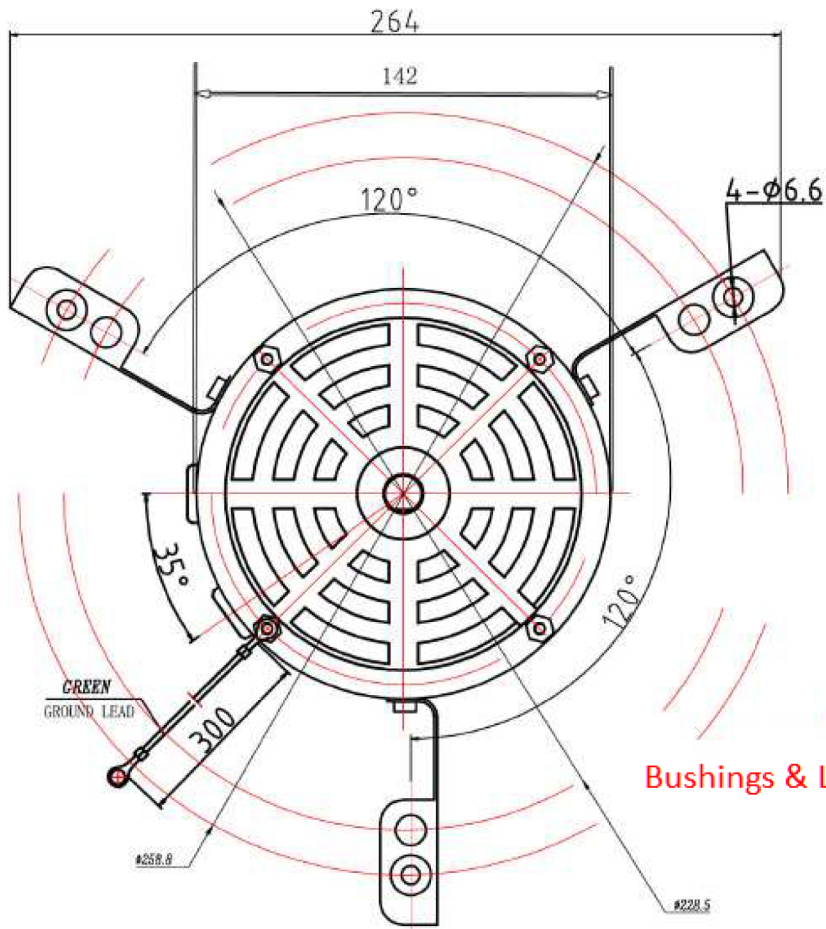
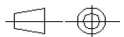


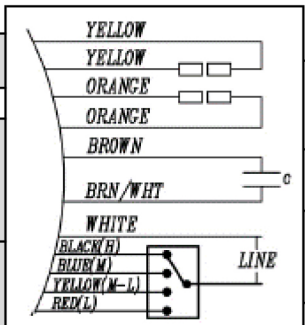
Orientation



HP	Volts	Phase	Hz	Amps	RPM	Speeds	Frame	Construction
1/3	115	1	60	4.5	1075	4	48	Open Air Over
Insul.	Prot.	Type	Ball Bearings	Capacitor	Rotation Reversible:			
B	Thermal	PSC	Sealed	10µf, 370VAC	Yellow - Yellow : CCWLE Yellow - Orange: CWLE			

Lead Description:

- 18AWG, 760mm Long
- Wires: 1 White, 1 Black, 1 Blue, 1 Yellow, 1 Red. Each wire skinned 12mm
- Cap wires: 1 Brow, 1 Brown / White. Leads fitted with 6.3mm straight terminals.



Fan & Blower - Direct Drive, Torsion Flex Mounting, PSC, Open Air Over, Motor

**MDD126/4SP, 1/3HP, 115V 1ph, 4.5A**

Dimensions are in millimeters (mm)

Revised: Mar. 2017

